

Co: www.EnjoyTheMusic.com

Title: JFET buffer

Board: Schematic1.sch

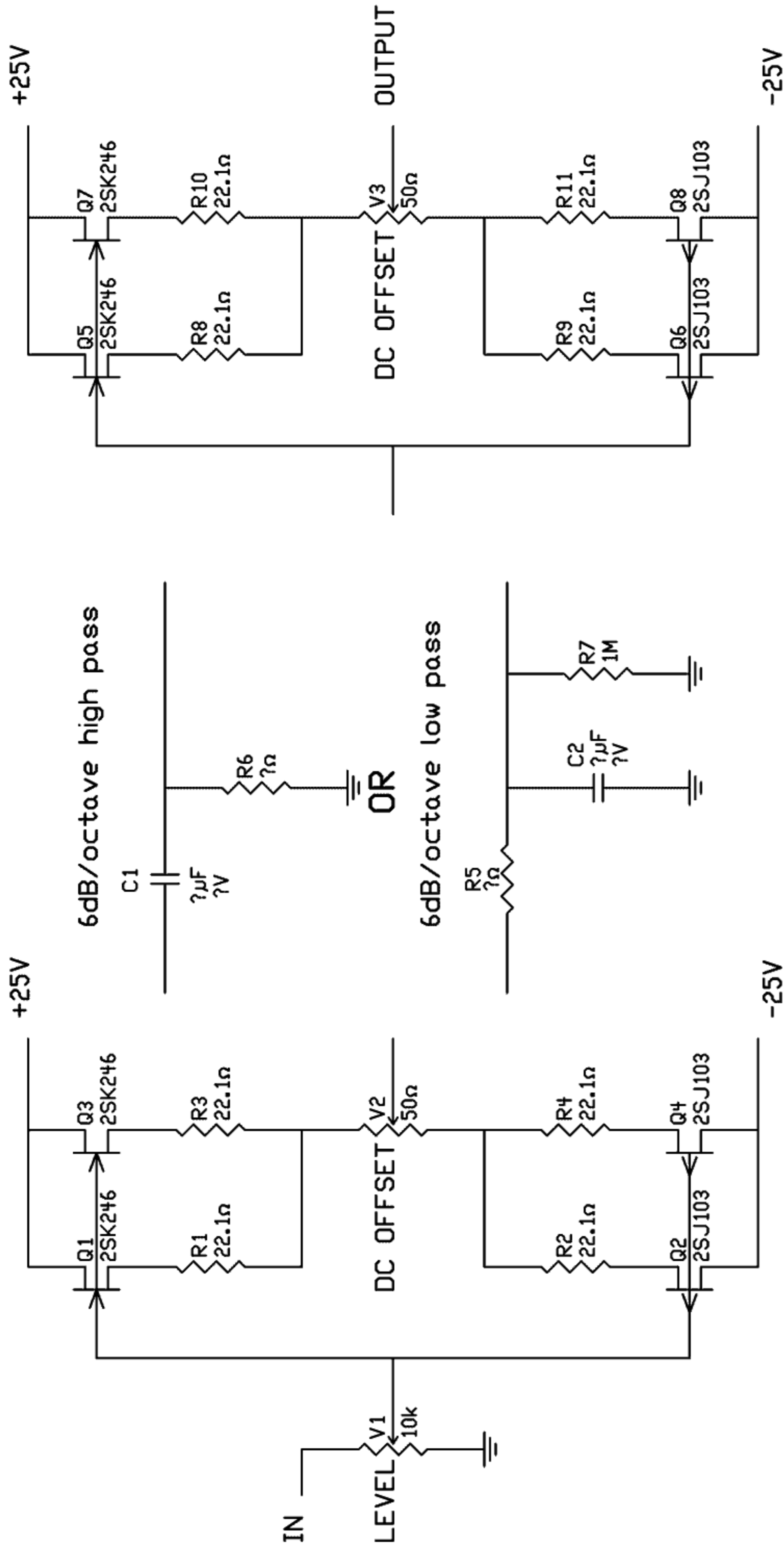
Revision: A

Author: Grey Rollins

Size: A

Date: 10/10/09

Sheet 1 of 1



Co: www.EnjoyTheMusic.com

Title: 6dB/octave filter

Board: Schematic2.sch

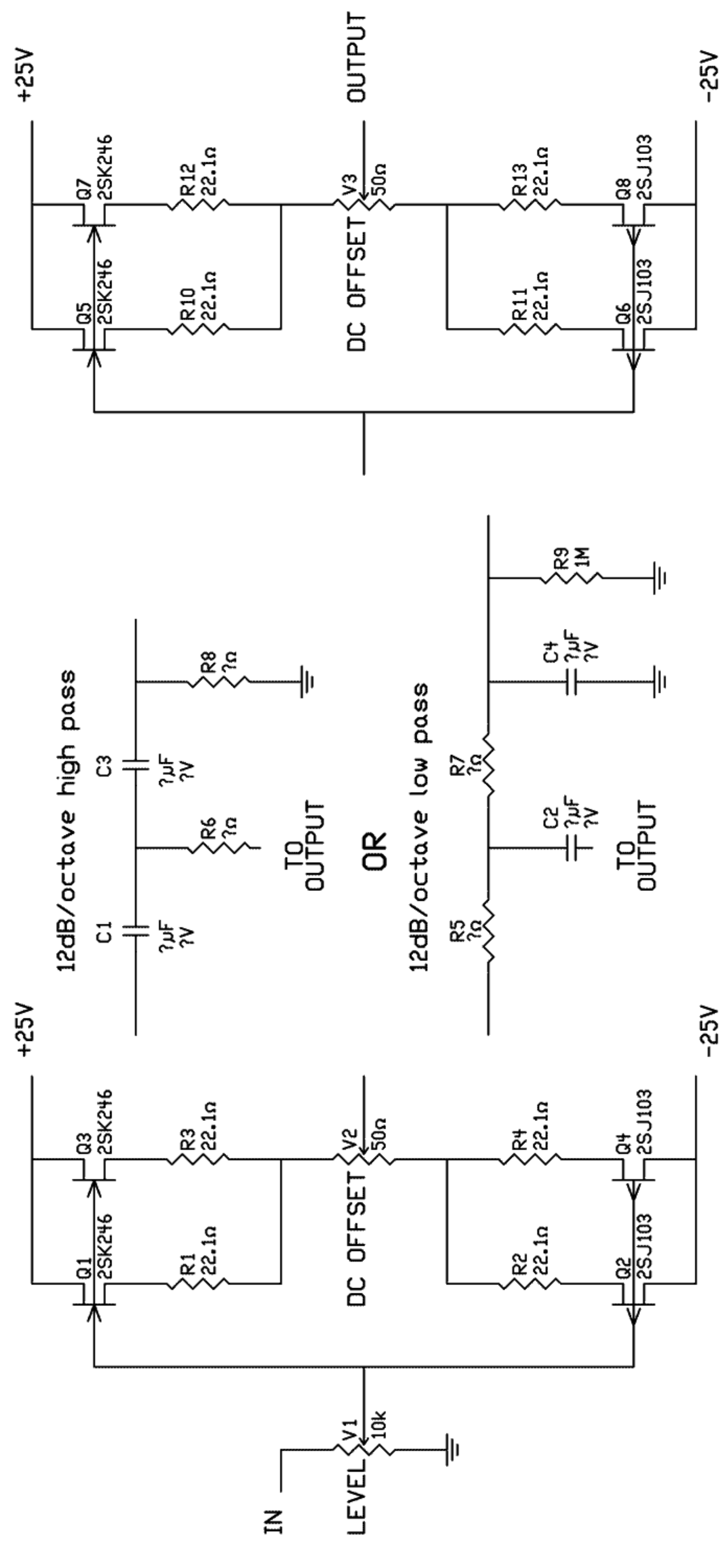
Author: Grey Rollins

Date: 10/10/09

Revision: A

Size: A

Sheet 1 of 1



Co:	www.EnjoyTheMusic.com
Title:	12dB/octave filter
Board:	Schematic3.sch
Author:	Grey Rollins
Date:	10/10/09
Revision:	A
Size:	A
Sheet	1 of 1